

ZGEN-14 Auto

Effective disinfection solution made on-site

- Simple Installation
- Non-Toxic
- Powerful, versatile



The ZGEN-14 Model Auto

The ZGEN-14 Model Auto is a stand-alone, on-site generator optimized to produce hypochlorous acid with an adjustable pH. Using technology the system converts salt, vinegar, water and electricity into an effective and powerful solution that can substitute for a number of conventional chemicals used on a daily basis. This translates to a strong supply chain and savings over time. Keeping your business operating smoothly is easy with a ZGEN auto.

Uses

- Bacteria inactivation
- Virus inactivation
- Cleaning food surface preparation areas
- Tile floor cleaning
- Any situation where sodium hypochlorite or calcium hypochlorite have traditionally been used.

Skid dimensions and weight	
Depth x Width x Height	19" x 36" x 60"
Weight	120 lbs.

Shipping dimensions and weight (Crate)	
Depth x Width x Height (crate)	24" x 40" x 70"
Weight	316 lbs.
Pallet with salt & vinegar feeder	40" x 48" x 30"
Pallet weight	82 lbs.
Harmonized tariff code	8421.21.00

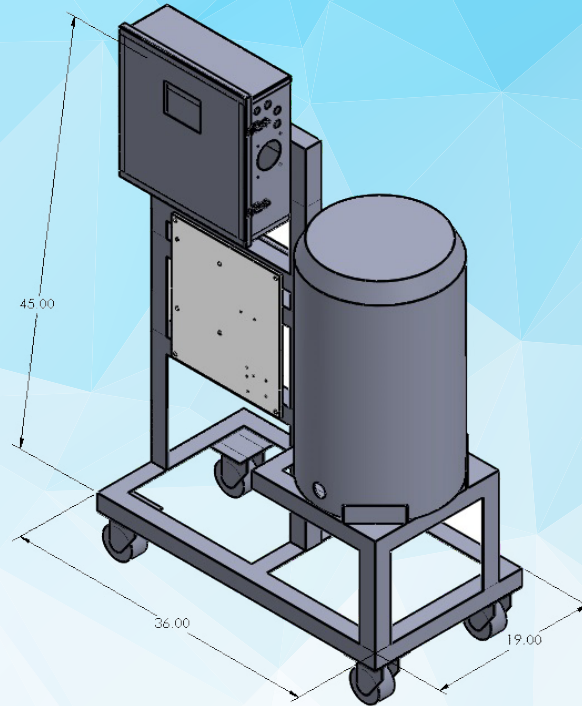
Electrical requirements	
Max AC primary amps	3.5amps @ 110v
Voltage / Hz	110-240v 50/60Hz
Phase	Single
Breaker required	15 amp

Generator performance	500ppm FAC	1,000ppm FAC
Water flow	0.24 gpm	0.1gpm
Water pressure (min)	25psi (2 Bar)	
Water pressure (max)	50psi (4 Bar)	
Water softener required	No	No
Hypochlorous acid produced	346 gallons / day	144 gallons / day
pH of solution (6.0 default)	5.5 (6.0) / 6.5 / 7.0 selectable	
FAC of generated solution	>500ppm	>1,000ppm
Estimated salt usage (lbs. used / gal. produced)	7.9 lbs. / 346 gal.	3.3 lbs. / 144 gal.
At ph 6.0 Estimated vinegar usage (Diluted gal. used / gal. produced)	0.9 gal. / 346 gal.	0.7 gal. / 144 gal.

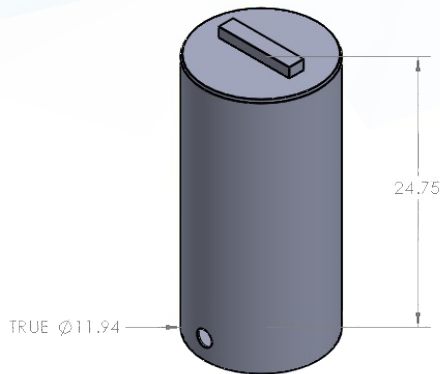
Specifications	
Power supply	50amp 24v DC switch mode
Electrode stack (cell)	10,000 - 15,000 hour reverse polarity
Operating temperature (Air)	45°F - 115°F (7°C - 46°C)
Operating temperature (Water)	50°F - 80°F (10°C - 26°C)

Dimensions

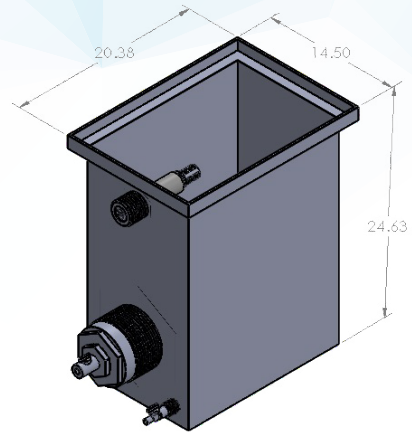
SKID MOUNTED ZGEN



ACID / VINEGAR FEEDER



SALT FEEDER



TMI Salt Pure Corporation has pioneered on site chlorine generation for over 25 years. Considered an innovator & leader in the commercial recreational water industry, our clients span a number of countries and includes: Cities, schools, health clubs, universities, hospitals, indoor water parks and more. The ZGEN technology is a straight forward, smaller scale version of the process we use in large commercial pools. As with the aquatics arena, TMI will provide its highly regarded national remote technical support for assistance with the set up, operation and maintenance of the ZGEN.



Salt Chlorination Systems • Ultraviolet Light Systems • Chemistry Controllers